

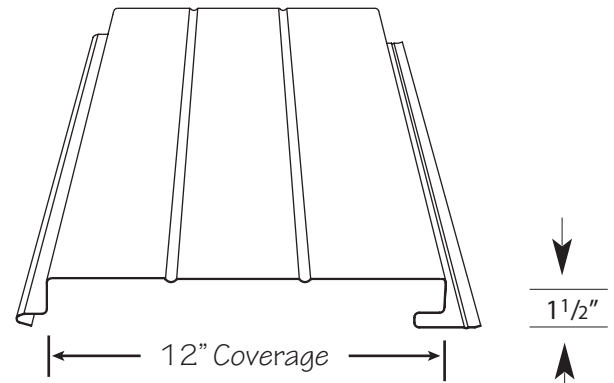
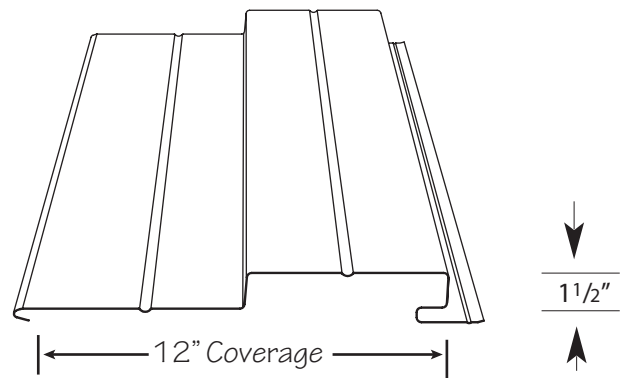
MAC 12S

Featuring

ZINC ALUMINUM COATED STEEL

Zinc Aluminum Coated Steel combines the strength of steel with the corrosion resistance of aluminum for twice the life of most zinc coatings

MAC 12S is a crisp, distinctive solution for vertical exterior and interior walls, fascias and equipment screen applications. MAC 12S can also be used as a soffit ceiling panel. The panel's concealed fastener system reveals a clean distinctive design in any application.



features | benefits

- Design-flexible 12" modules available flat, with one or two pencil ribs. New to the product line is a modular design with the panel option of 6" high and 6" down.
- Sealant is provided as a standard to create superior air and water infiltration resistance.
- Designed for use both horizontally and vertically.
- Available perforated to meet the special needs of interior acoustically-sensitive applications or where ventilation is required.
- Compatible trim and accessories are readily available.
- Available in a wide variety of standard colors in a high performance Kynar 500® paint system.

MAC 12S SECTION PROPERTIES - 12" UP					
Gauge	Wt. (lbs/ft ²)	S+ (in ³ /ft)	I+ (in ⁴ /ft)	S- (in ³ /ft)	I- (in ⁴ /ft)
24	1.47	0.0604	0.0546	0.0732	0.0892
22	1.85	0.0852	0.0741	0.0968	0.1164
20	2.22	0.1125	0.0940	0.1210	0.1440
18	2.87	0.1673	0.1320	0.1626	0.1900

*18 gauge supplied as G-90 galvanized.

