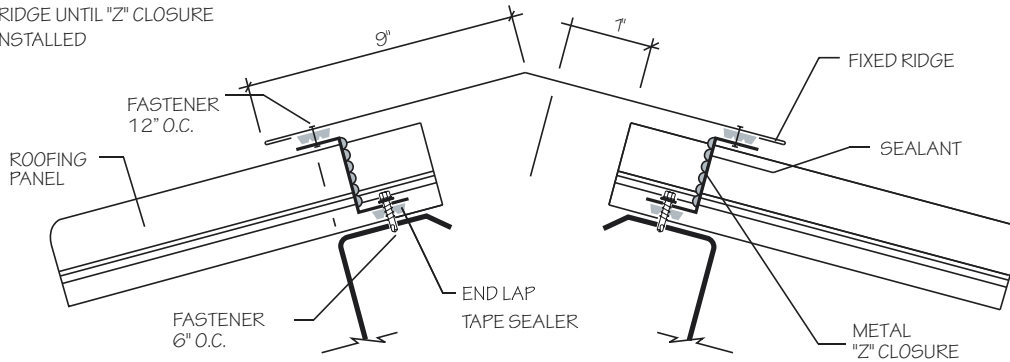
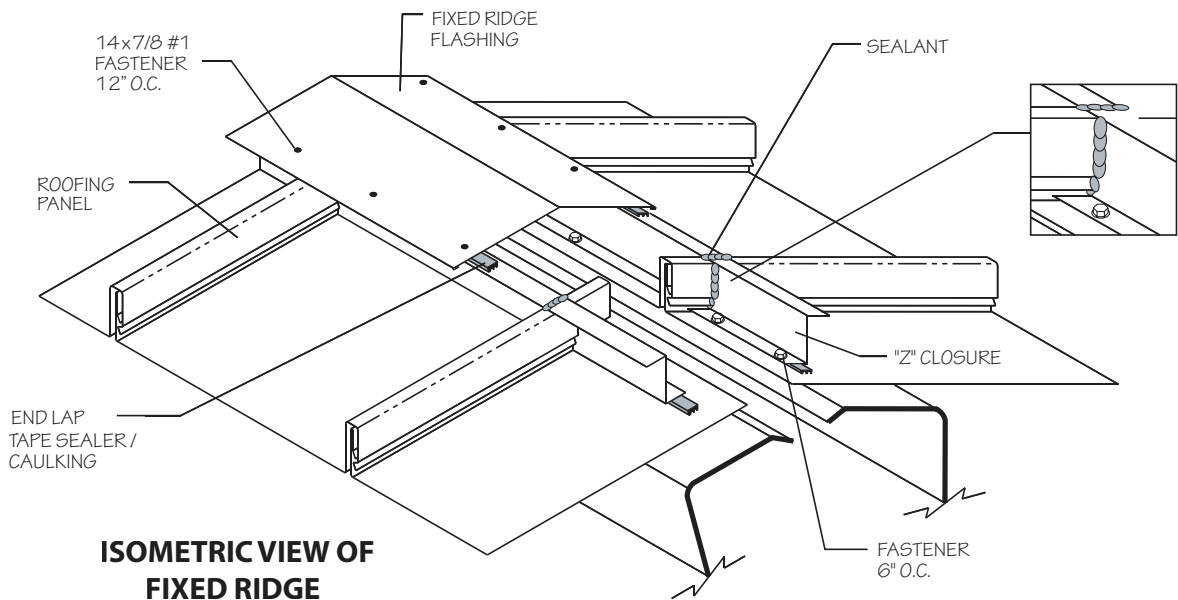


TYPICAL DETAILS FIXED RIDGE

IMPORTANT NOTE:
TEMPORARILY SECURE PANELS
AT RIDGE UNTIL "Z" CLOSURE
IS INSTALLED



**CROSS SECTION OF
FIXED RIDGE**



**ISOMETRIC VIEW OF
FIXED RIDGE**

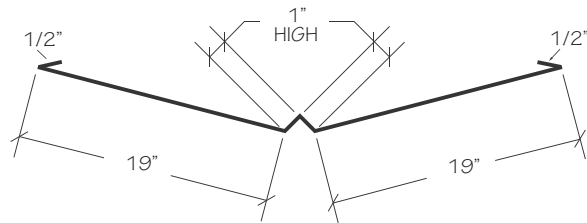
NOTES:

1. Do not use this detail with the fixed eave or valley details.
2. Field cut "Z" metal closures to fit panel width.
3. Install end lap tape sealer to panels between "Z" metal closures & panel.
4. Install "Z" metal closures to peak purlin with tek 3 fasteners at 6" o.c.
5. Seal end of "Z" closure to panel seam with urethane sealant.
6. Attach ridge flash to "Z" closure with stitch screws at 6" o.c.

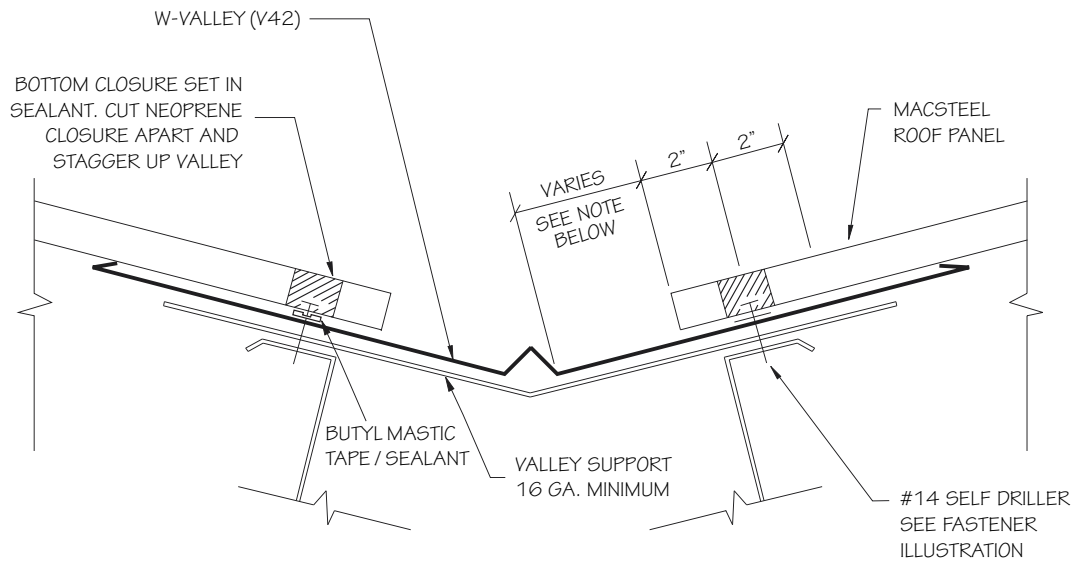


Valley Flashing

Large



Large W-Valley (V42)



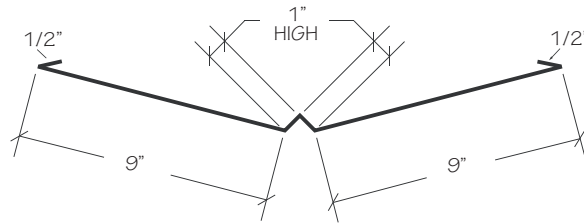
Note:

- Valley dimensions must be the proper width to account for panel run length, slope and heavy rain conditions.

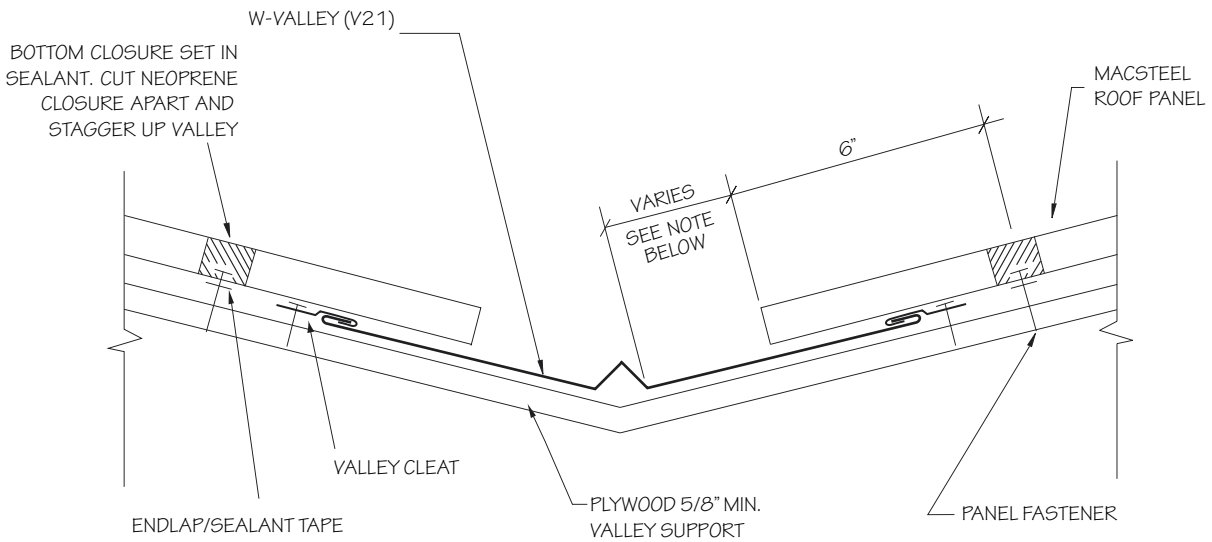


Valley Flashing

Regular



Regular W-Valley (V21)

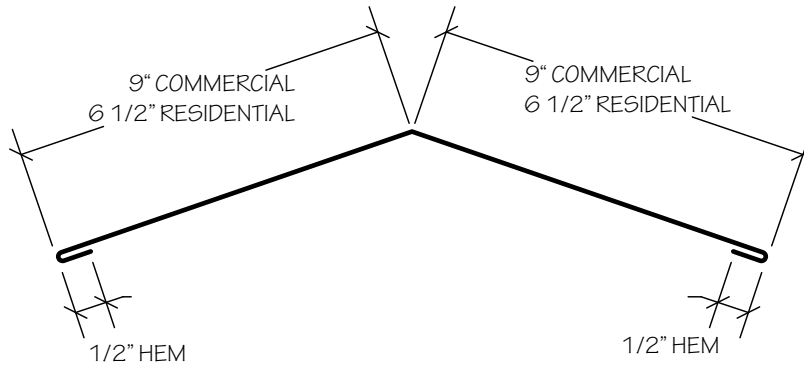


Note:

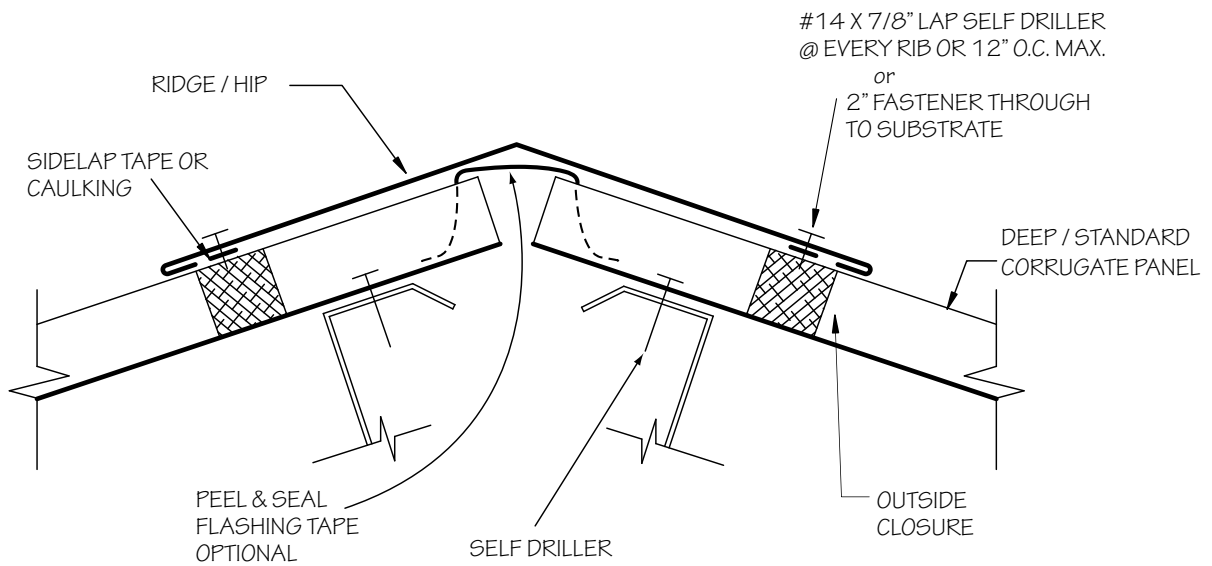
- Valley dimensions must be the proper width to account for panel run length, slope and heavy rain conditions.



Ridge & Hip



Ridge/Hip

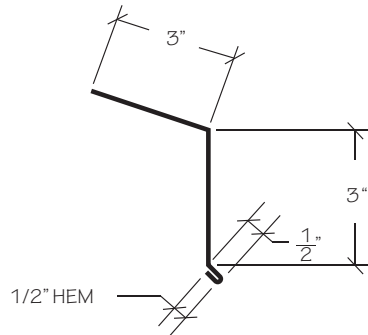


Deep / Standard Corrugated Ridge / Hip

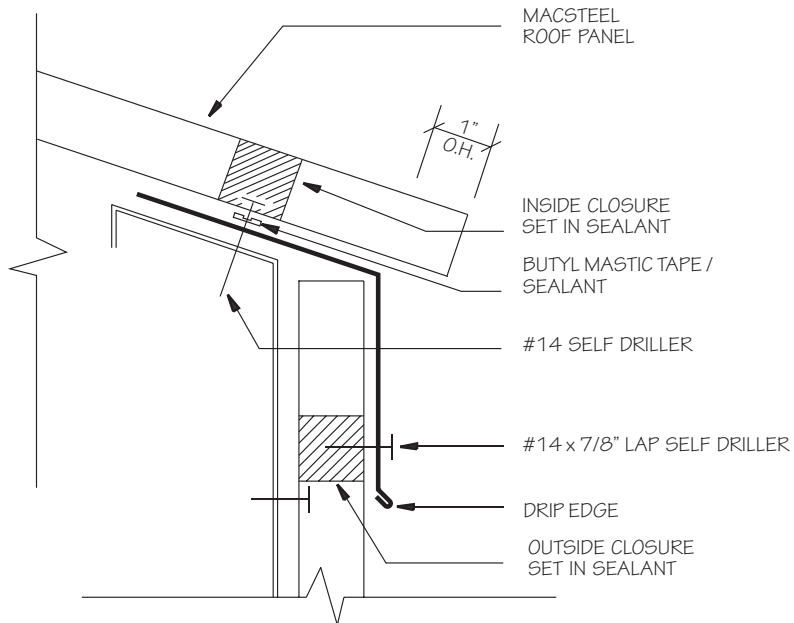


Drip Edge

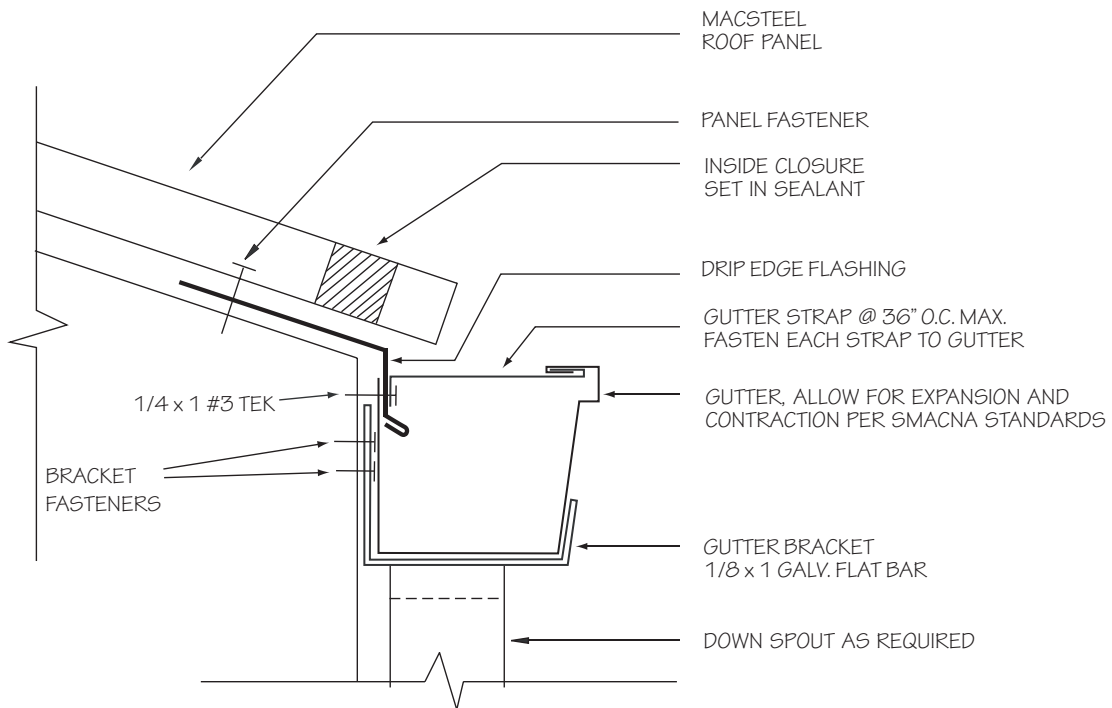
Through-Fastened Panels



Drip Edge (DE4)

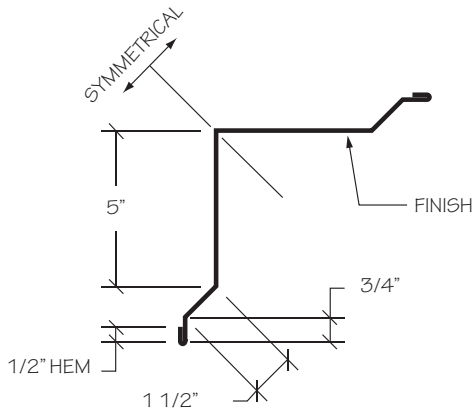


Gutter

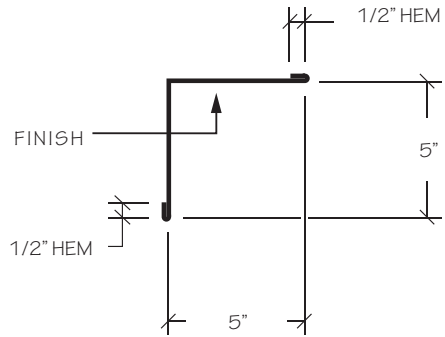


Wall Details - Inside Corner

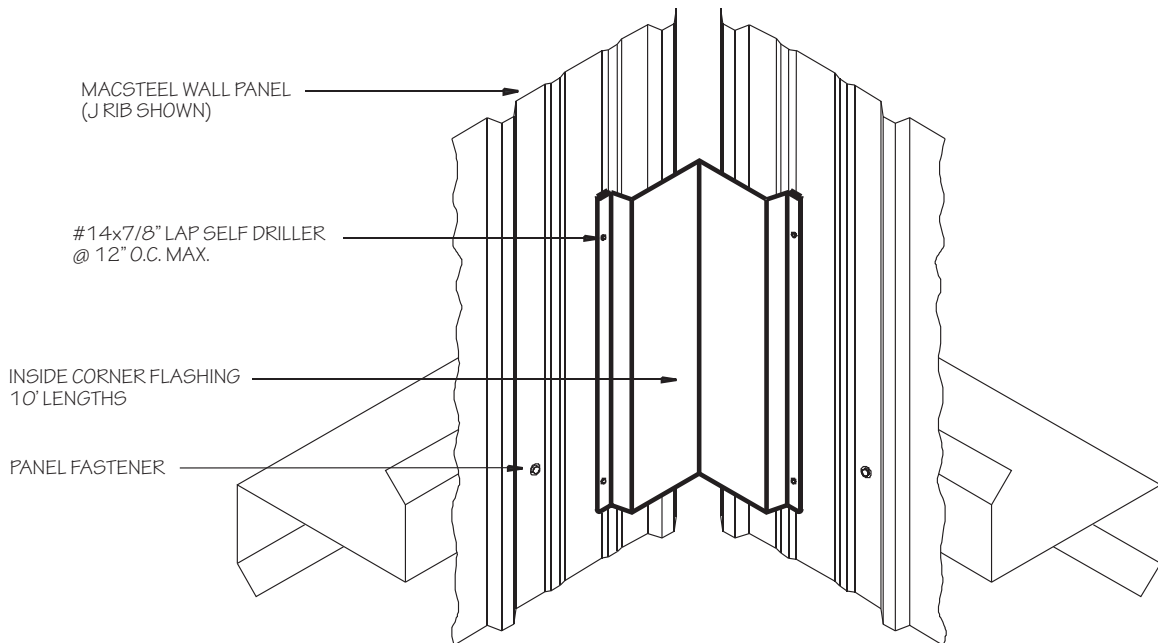
Through-Fastened Panels



Inside Corner (IC5S)

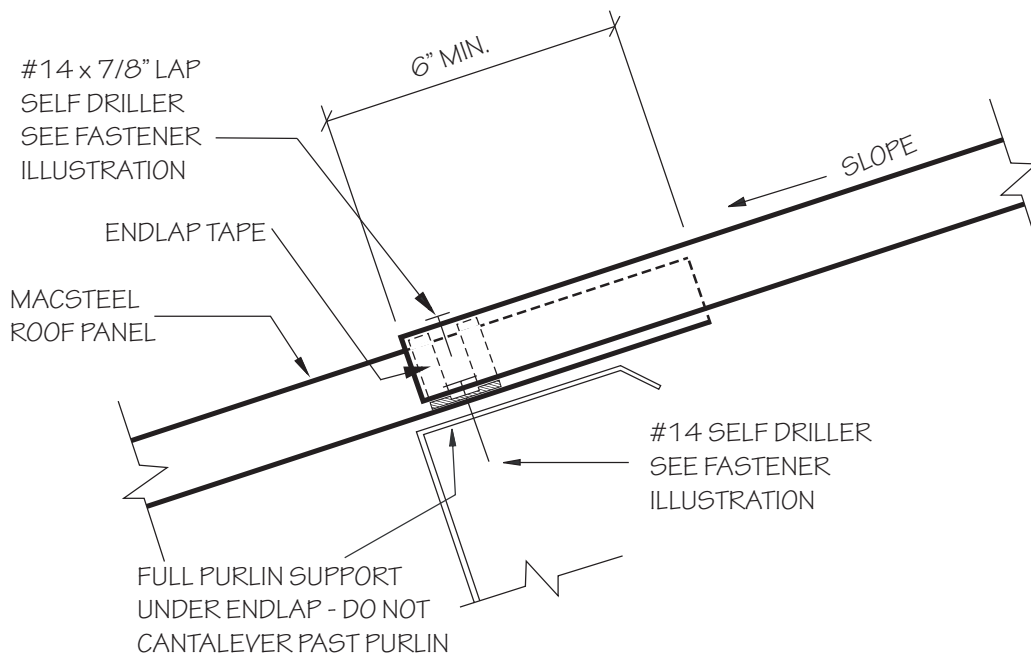


Inside Corner (IC5)



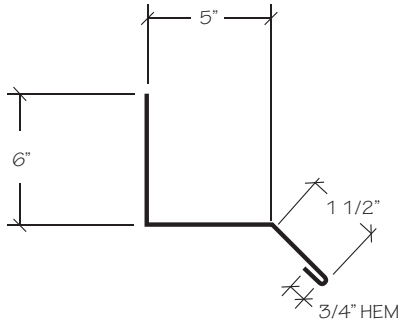
Panel Endlap - Compression Joint

Through-Fastened Panels

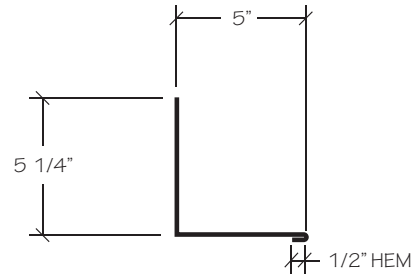


Sidewall Flashings

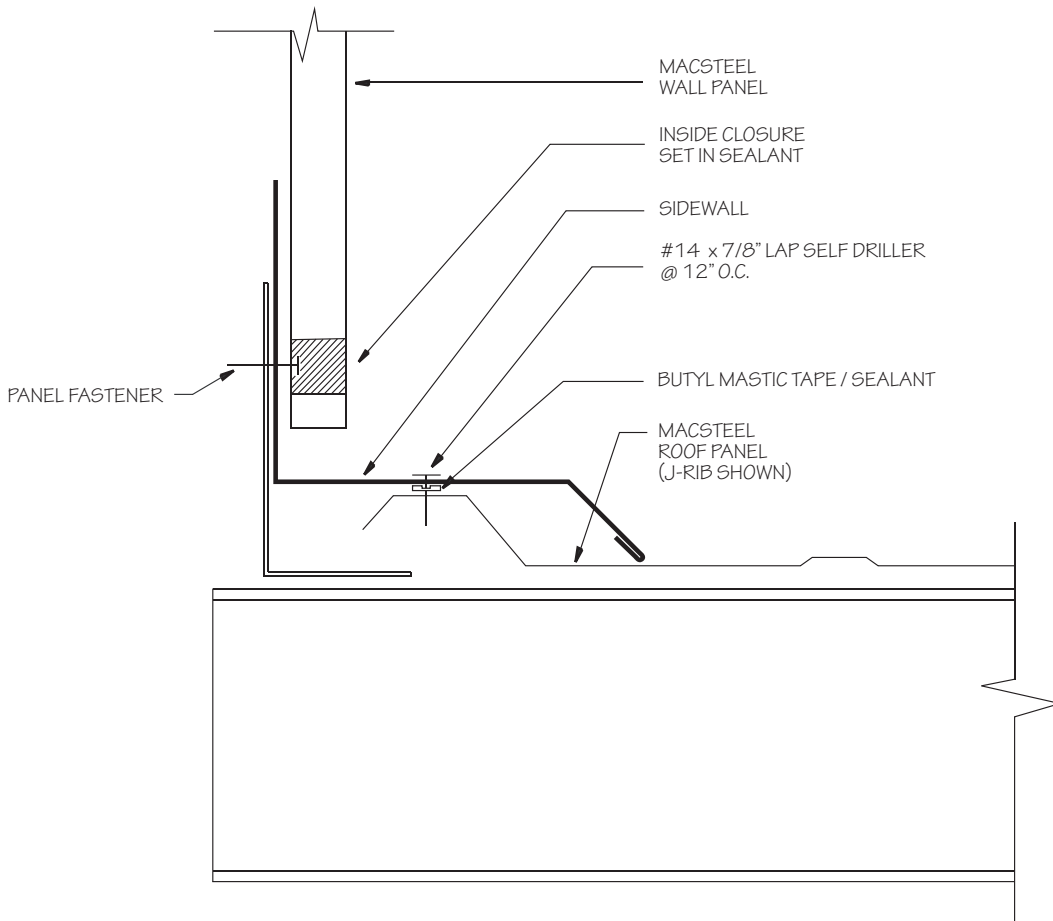
Maxi Rib & J Rib Through-Fastened Panels



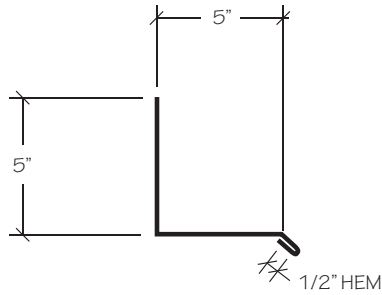
Sidewall (SW7)
Maxi Rib & J Rib only



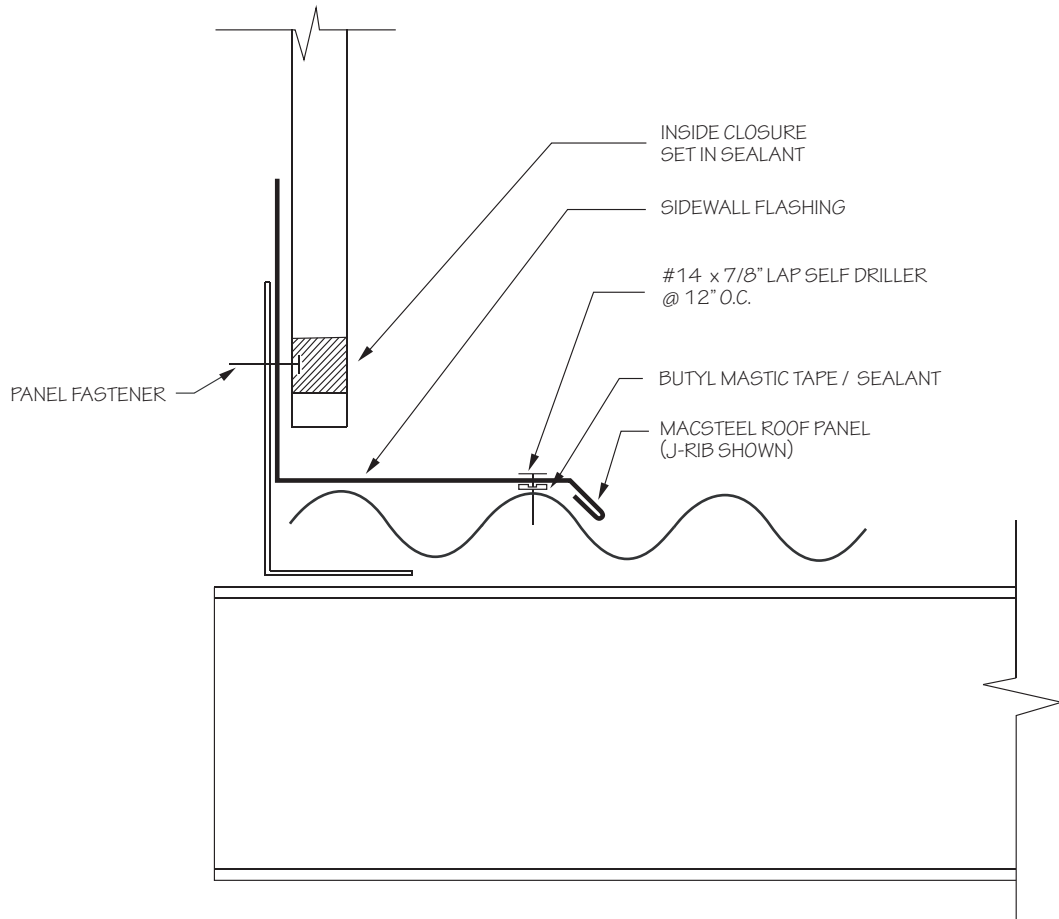
Sidewall (SW9)



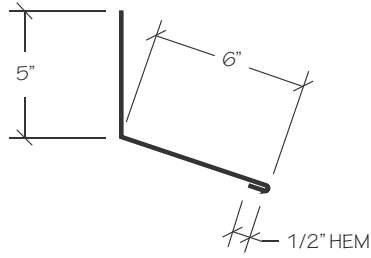
Sidewall Flashings Through-Fastened Panels



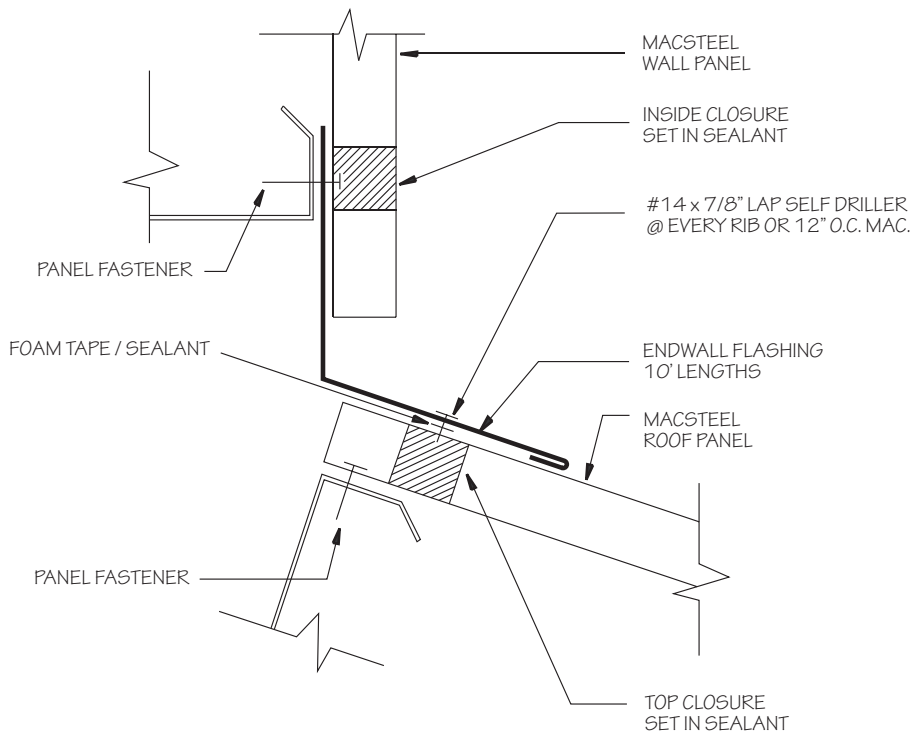
Sidewall (SW8)



Endwall Flashing Through-Fastened Panels

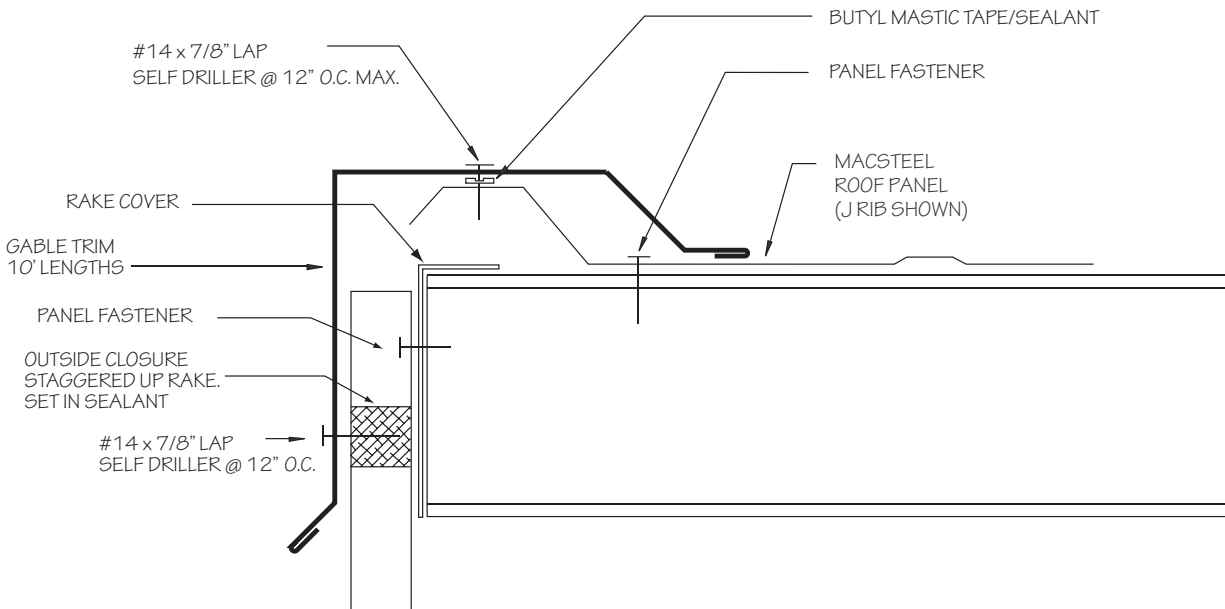
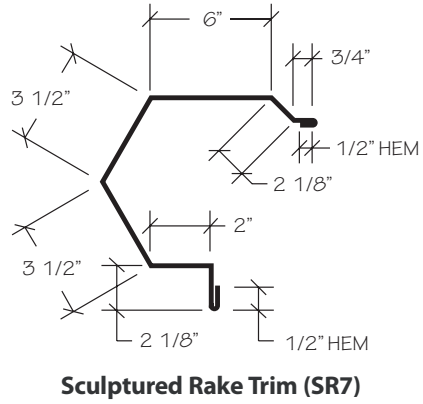
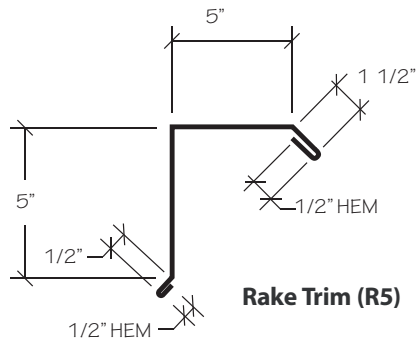


Endwall (EW6)

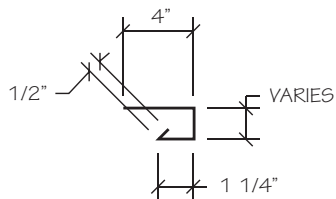


Gable Trim

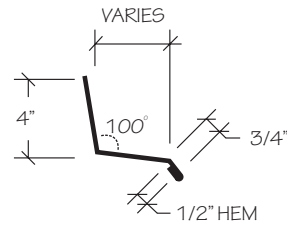
Through-Fastened Panels



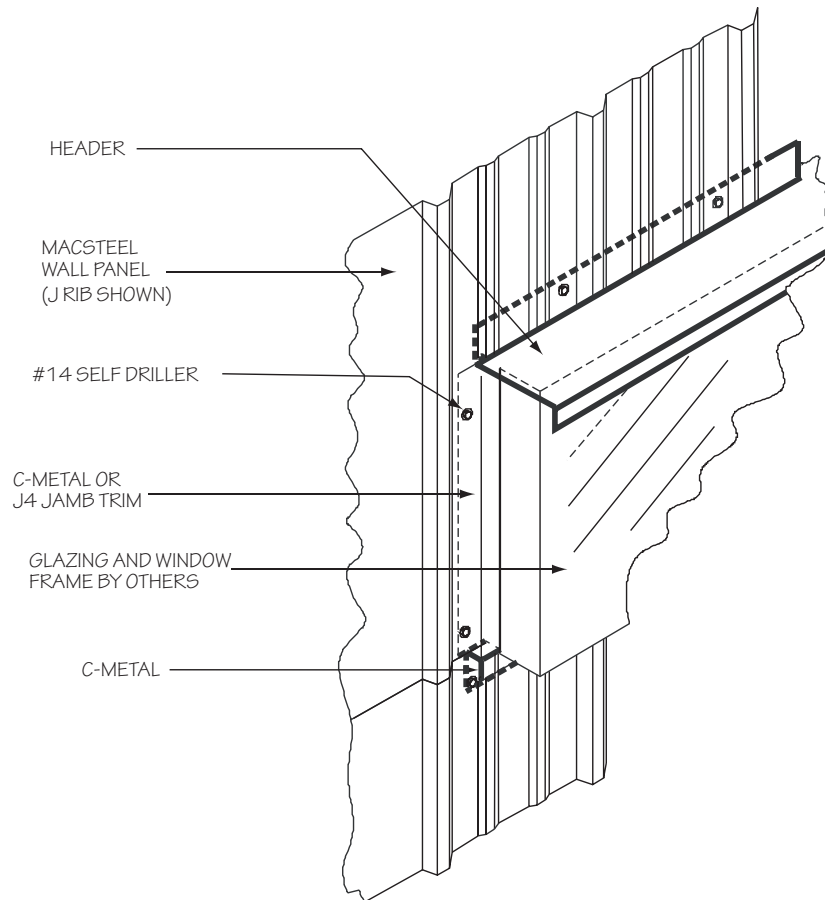
Wall Details - Window / Door Trim



Jamb Trim (J4)

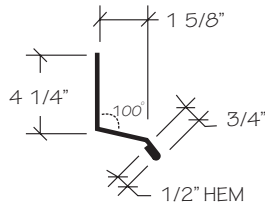


Header (H2)

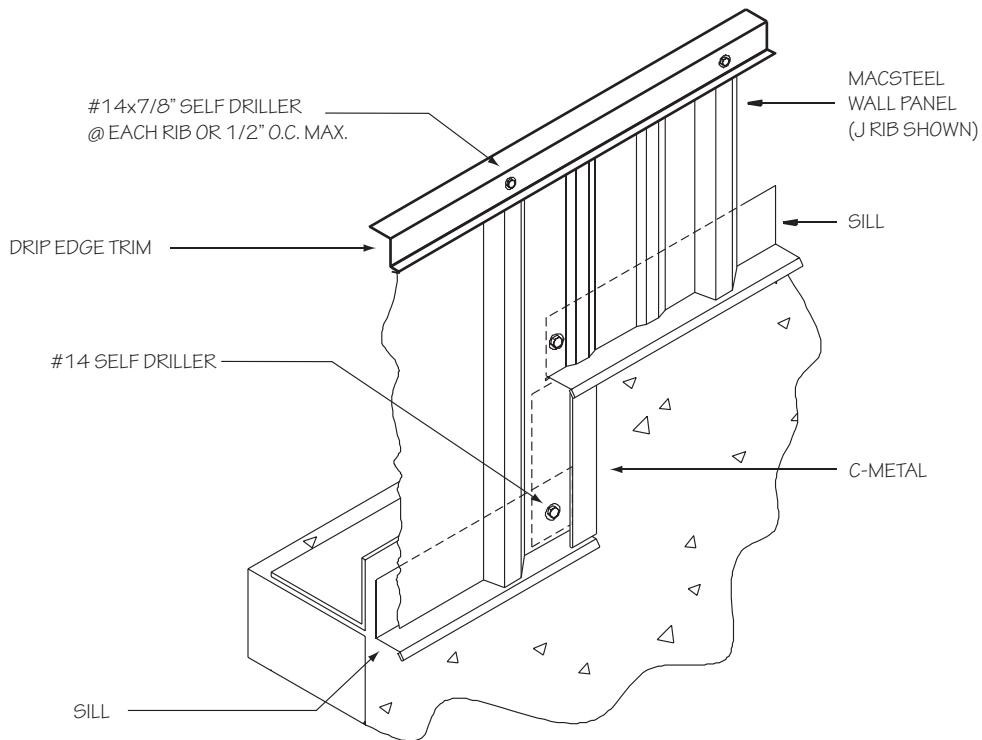


Wall Details - Drip Edge, Wall Step, Panel Top

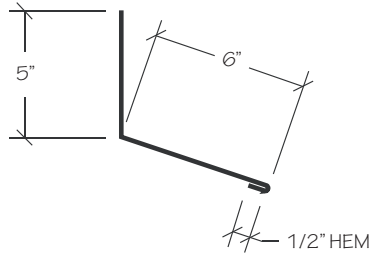
Through-Fastened Panels



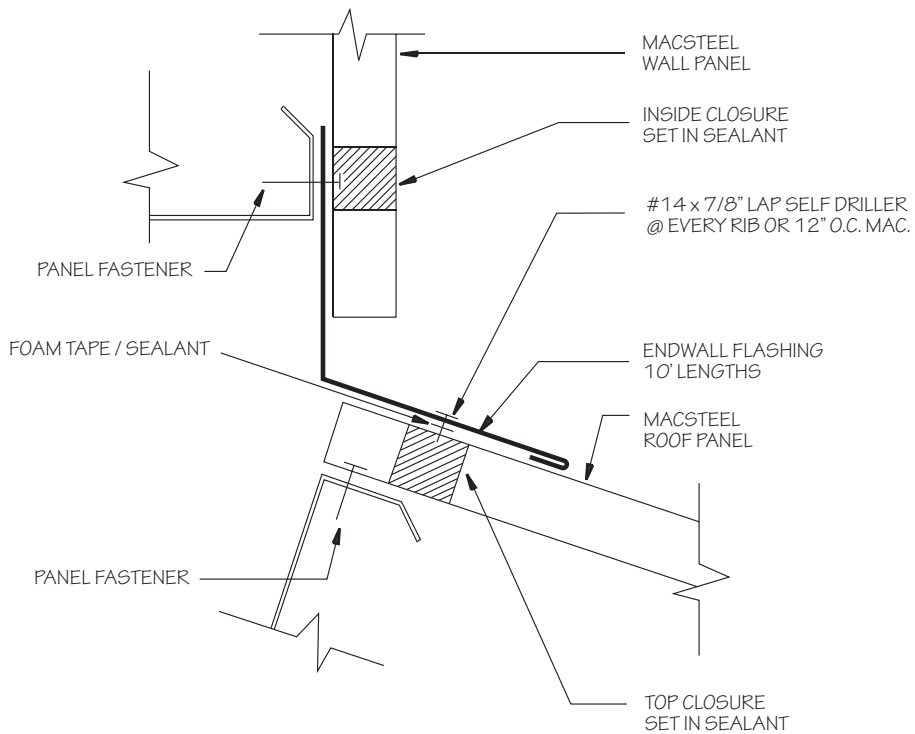
Sill Edge (S4)



Endwall Flashing Through-Fastened Panels

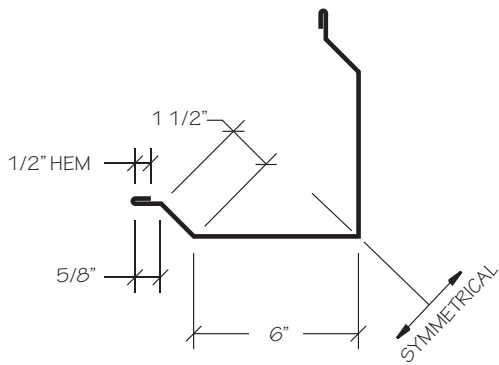


Endwall (EW6)

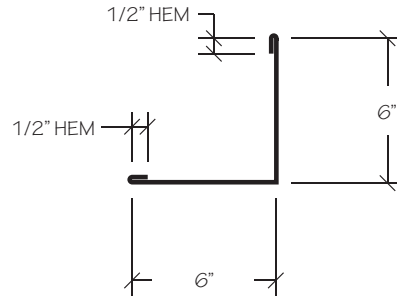


Wall Details - Outside Corner

Through-Fastened Panels



Outside Corner (OC7)



Outside Corner (OC11)

